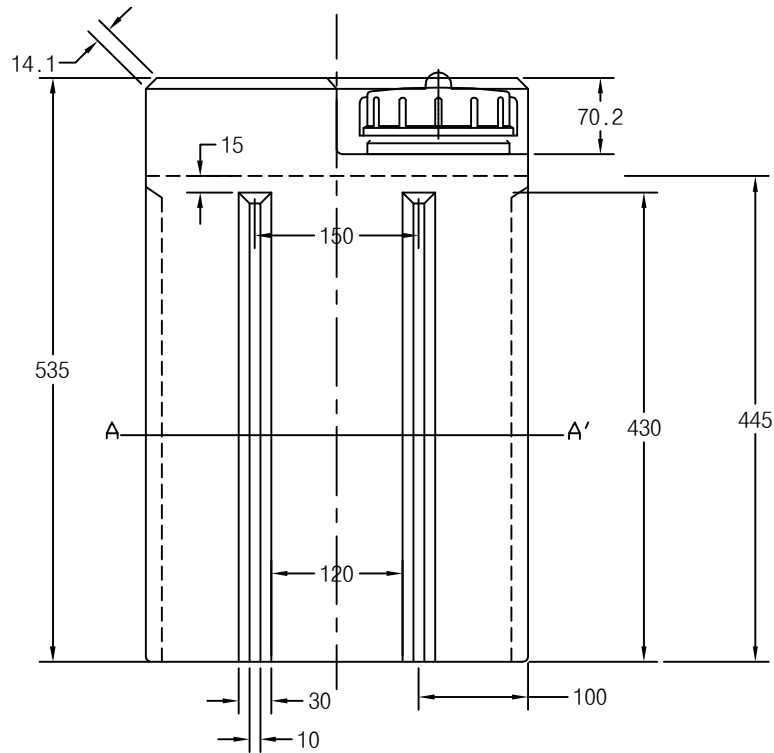



SECTION A-A'



1L=8.6505mm

TOLERANCE	DATE: 97.12.4		SCALE 1/20
±2%	DESIGN	TITLE	SHEET
	CHECK	UN50N	
	APP'D	DWG No.	SHEETS
 국송산업 주식회사 KOOKSONG CO., LTD.			