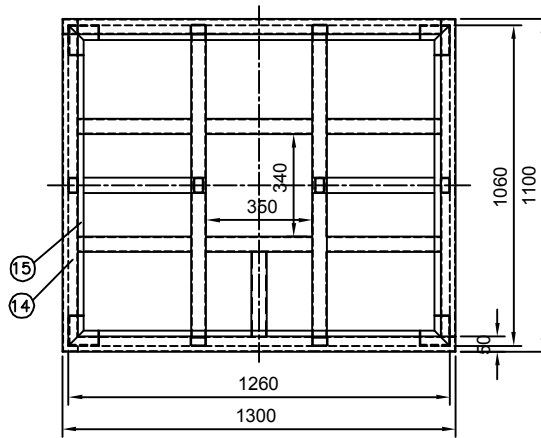
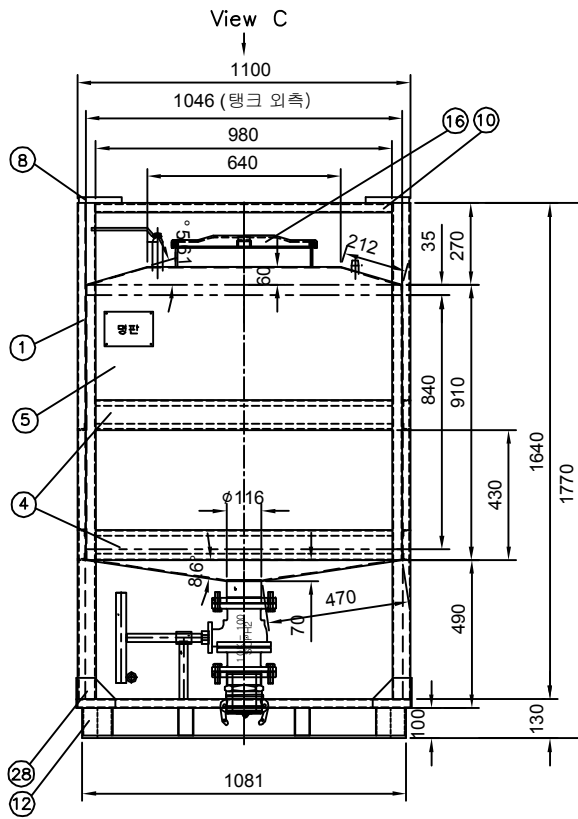
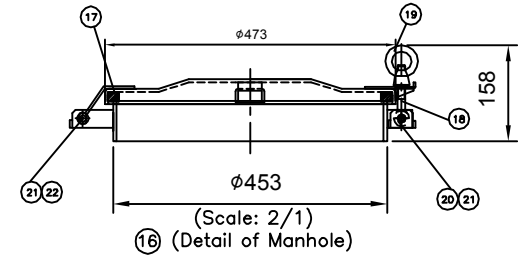


View C



Section A-A'



(Scale: 2/1)  
⑬ (Detail of Manhole)

31	밸브 조작용 핸들	1	20A PIPE	SGP	
30	BOLT & NUT	16	M16*60L	SS400	단관 2층 소켓타입, 니플타입
29	플랜지 & 가스켓	2	100A (10K)	SS400	
28	수직기둥 보강	4	100x130x2.3t	SS400	
27	Ball valve (air vent)	1	25A	STS304	
26	플랜지형 Ball valve (drain)	1	100A	STS304	밸브를 별도로 사용함
25	Dust cap	1	100A (DC)	STS304	
24	Camlock	1	100A (F)	STS304	
23	Wire	1	L=500	STS304	
22	bolt	1	M10x75	STS304	
21	S/W	18	M10	STS304	
20	bolt	8	M10x40	STS304	
19	Eye- nut	8	M12	STS304	
18	Eye- bolt	6	M12x80	STS304	
17	Gasket	1	19x19	EPDM	
16	Manhole cover ass'y	1	OD 473	STS304	
15	Pallet frame (-)	14	F.B 50x9t	SS400	
14	Pallet frame (□)	14	50x30x1.4t	SS400	
13	Pallet 기둥 B (○)	5	35x100x35*2.3t-91	SS400	
12	Pallet 기둥 A (□)	4	100x50x2.3t	SS400	
11	안전번	1	20A	STS304	
10	상판 Frame (□)	4	50x30x1.4t	SS400	
9	상판삼각보강 (P)	4	300x30x2.3t	SS400	
8	Stopper (L)	4	FB20*4T(150x150)	SS400	
7	Step ladder (O)	1	200x100x30(φ12)	SS400	
6	Card holder (□)	1	1.6t	STS304	
5	탱크 (P)	1	외측 1246x1046*3t	STS304	
4	측면중간보강 (L)	8	100x25x20x2.3t	SS400	
1	수직기둥 (□)	4	60x26x2.3t	SS400	
No.	DESIGNATION	QTY	SIZE	MATERIAL	REMARKS

DATE: 18.6.20

STS304

SCALE  
1/15

치수공차  
±3mm

TITLE  
SS4-KD (1200) ASS'Y(운반18-04)

SHEET

DWG No.

SS4-KD-001 (100A)

SHEETS