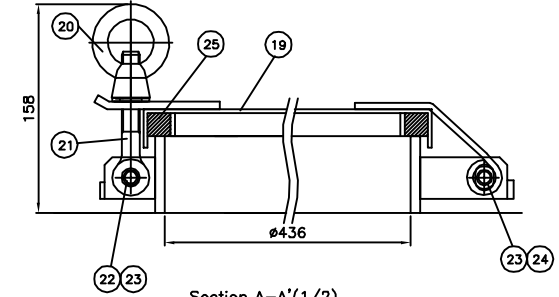
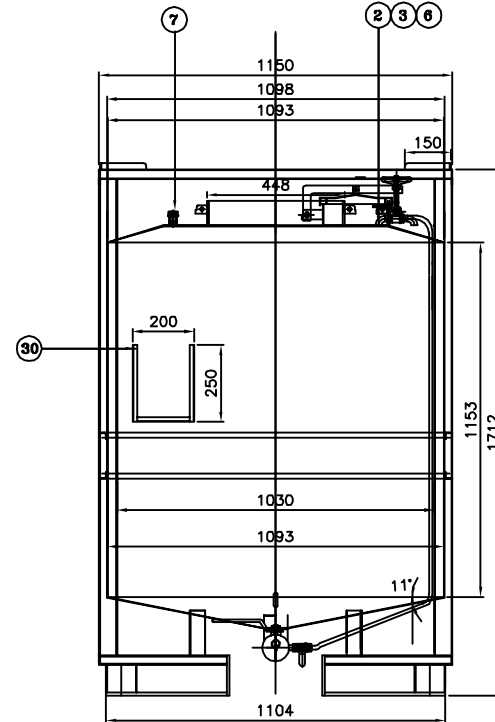
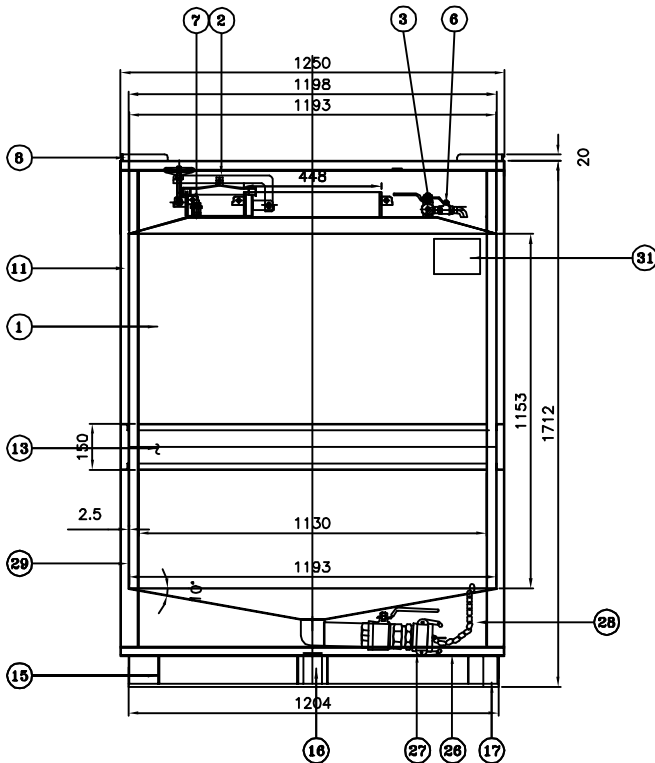


Section A-A'



Section A-A'(1/2)
(Detail of Manhole)



31	평판 B/K	1	150 X 115	STS 304	소방감압평판
30	평판 골이	1	200 X 300	STS 304	아크릴 평판
29	Chain	1	L=300	STS 304	
28	Dust cap	1	634-B		
27	Camlock	1	633-F		
26	Ball valve	1	65A	STS 304	
25	Gasket	1	□19x19	TEFLON	
24	bolt	1	M10x75	STS 304	
23	S/W	18	M10		
22	bolt	1	M10x75		
21	Eye bolt	6	M12x80		
20	아이너브	8	M12		
19	Manhole cover ass'y	1	KCDE-BM1		
18	Pallet frame (□)	14	□50x30x1.4t		
17	Pallet frame (□)	14	□50x30x1.4t		
16	Pallet 기둥 B (□)	5	100x40x20x2.5t		
15	Pallet 기둥 A (□)	4	100x50x2.5t		
14	Step ladder	1	200x100x30(φ12)		
13	측면중간보강 (□)	4	100x25x20x2.5t		
12	Card holder (□)	1	1.6t		
11	수직기둥 (□)	4	60x26x2.5t		
10	상판 Frame (□)	4	□50x30x1.4t		
9	상판상각보강 (□)	4	300x30x2.5t		
8	Stopper (□)	4	FB150x150x2.5t		
7	안면면	1	20A	STS 304	
6	Air Vent	1	25A		W/Valve
5	잠금 유압 밸브	1	25A		W/Camlock
4	배출부 밸브	1	65A(CAMLOCK+DC CAP)		
3	L/G 밸브	2	15A		W/Pfa Tube
2	투입구	1	φ200		EL : 1700H
1	평판 (□)	1	1193*1093*1153*2.5t	STS 304	
No.	DESIGNATION	QTY	SIZE	MATERIAL	REMARKS

DATE:08.11.27

DESIGN

CHECK

APP'D

SCALE	1/15
TITLE	SS4-D 1500L(운반 16-06)
DWG No.	S4A-B1/p4af
SHEETS	