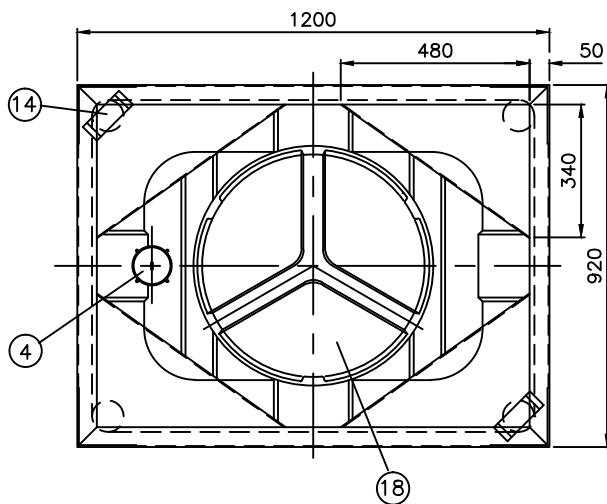
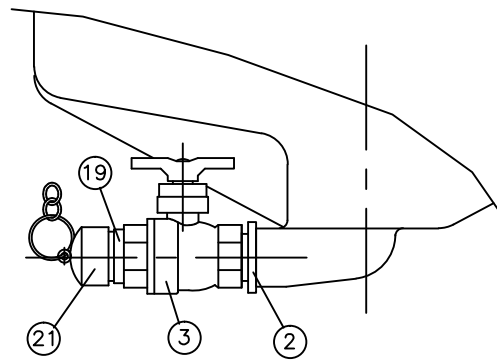


Manhole(M/H)부 상세(1/5)



View A



배출관부 상세(1/7.5)

21	Dust cap	1	50A	N R	
20	Cushion rubber	1	—	N R	
19	Camlock	1	50A	PPG	
18	M/H cap	1	ø525	P E	Screw type
17	M/H inner cap	1	ø420	P E	
16					
15	Valve holder	1	32x2.3t	G I	
14	Tank holder	2	L50x30x2.3t		
13	상판 Frame	1	L50x50x2.3t		
12	Hopper 기둥	4	L50x50x2.3t		
11	Hopper	1	1.2t	G I	
10	Pallet	1	—	SS41	Zn 도금
9	Step	1	ø12	SS41	Zn 도금
8	Center보강	4	2.3t	G I	
7	Card holder	1	2.3t		
6	측 판	4	1.2t		
5-1	수직기둥 보강	4	2.3t		
5	수직기둥	4	L60x26x2.3t	G I	
4	Air cap	1	80A	P E	
3	Ball valve	1	50A	PVC	
2	Valve nipple	1	50A	P P	
1	Tank	1	1050 L	P E	
No.	DESIGNATION	QT'Y	SIZE	MATERIAL	REMARKS
DATE:01.10.31					SCALE 1/15
DESIGN	TITLE P4-E Container				SHEET
CHECK	DWG No. P4E-A1/p-e				SHEETS
APP'D					



???? ????
HANKUK POLY TANK Co.,LTD