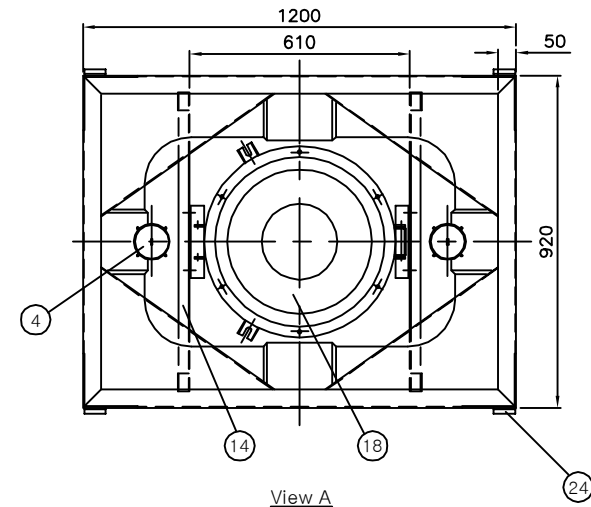
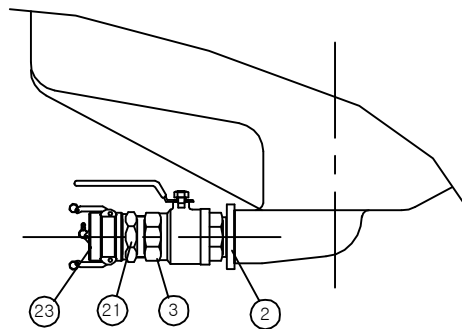


Manhole(M/H)부 상세(1/5)



View A



배출관부 상세(1/7.5)

23	Cap	1	50A	N R	
22	Cushion rubber	1	—	N R	
21	Clamp band	1	50A	PPG	
20	Handle nut	2	M10	SUS304	
19	Hinge bolt	2	M10x65	SUS304	
18	M/H cap	1	$\square 530$	PP/SS41	Zn 도금
17	M/H inner cap	1	$\square 420$	P E	
16	M/H band	1	L20x20x3t	SS41	Zn 도금
15	Valve holder	1	32x2.3t	SS41	Zn 도금
14	Tank holder	2	L50x30x2.3t	SS41	Zn 도금
13	상판 Frame	1	L50x50x2.3t	SS41	Zn 도금
12	Name plate	1	70x110x0.5t	SUS304	
11	Hopper	1	1.2t	SS41	Zn 도금
10	Pallet	1	—	SS41	Zn 도금
9	Step	1	$\square 12$	SS41	Zn 도금
8	Center보강	4	2.3t	SS41	Zn 도금
7	Card holder	1	2.3t	SS41	Zn 도금
6	측판	4	1.2t	SS41	Zn 도금
5	수직기둥	4	L60x26x2.3t	SS41	Zn 도금
4	Air cap	2	80A	P E	
3	Ball valve	1	50A	PVC	
2	Valve nipple	1	50A	P P	
1	Tank	1	1040 L	P E	

No.	DESIGNATION	QTY	SIZE	MATERIAL	REMARKS
DATE: 05.4.20					SCALE 1/15
DESIGN	TITLE P4-KD Container(운반09-22)				SHEET
CHECK	DWG No. P4D-A3/p-dLs				SHEET
APP'D					